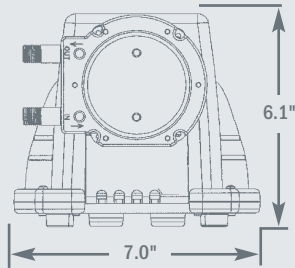
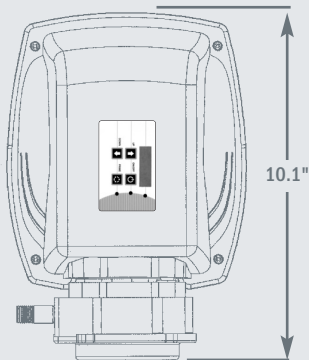


VARIABLE SPEED



MODELS

- SVP1H1 · SVP1L1
- SVP1H2 · SVP1L2
- SVP1H7 · SVP1L3
- SVP1L4
- SVP1L5



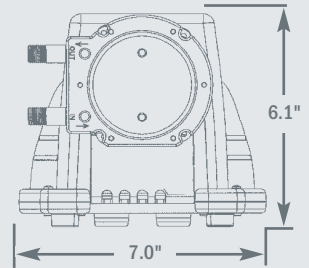
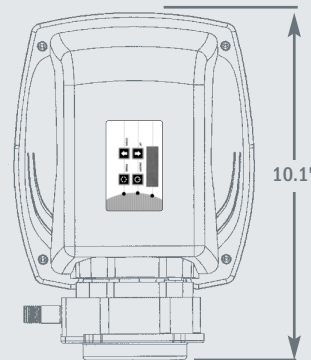
SHIPPING WEIGHT 9 lbs (4 kg)

VARIABLE SPEED WITH 4-20MA INPUT

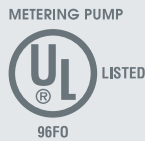


MODELS

- SVP4H1 · SVP4L1
- SVP4H2 · SVP4L2
- SVP4H7 · SVP4L3
- SVP4L4
- SVP4L5



SHIPPING WEIGHT 9 lbs (4 kg)



THIS PRODUCT HAS BEEN TESTED AND CERTIFIED BY THE WATER QUALITY ASSOCIATION ACCORDING TO NSF/ANSI 61 FOR MATERIALS SAFETY ONLY.

PRODUCT LISTINGS VARY BY MODEL. CONTACT FACTORY FOR DETAILS.

FEATURES

- Positive displacement pump
- 3-point roller design assists in anti-siphon protection.
- Pump head requires no valves, allows for easy maintenance.
- Self-priming against maximum working pressure, foot valve not required.
- Pump does not lose prime or vapor lock.
- Pumps off-gassing solutions and can run dry.
- Output volume is not affected by back pressure.
- Injection check valve included w/SVP1H and SVP4H models.
- Easy to change pump tube; lubrication is not required.
- Pump tubes and pump heads interchange between models.
- Models tested by WQA to conform to ANSI/NSF STD 61.
- Models tested by ETL to conform to ANSI/NSF STD 50.
- All pump accessories included allow a fast and easy installation.



3174 DeSalvo Road
 Jacksonville, Florida 32246
 Phone 904.641.1666
 US Toll Free 800.683.2378
 Fax 904.642.1012

www.stenner.com
 sales@stenner.com

Hours of Operation (EST)
 Mon. - Fri. 7:00 am - 5:30 pm

© Stenner Pump Company
 All Rights Reserved

SPECIFICATIONS

OUTPUT RANGE

5%-100%, 1% increments, non scalable

MAXIMUM WORKING PRESSURE

100psi

SVP1H1, SVP1H2, SVP1H7
SVP4H1, SVP4H2, SVP4H7

25psi

SVP1L1, SVP1L2, SVP1L3, SVP1L4, SVP1L5
SVP4L1, SVP4L2, SVP4L3, SVP4L4, SVP4L5

MAXIMUM AMBIENT and FLUID TEMPERATURE

125°F (52° C)

MAXIMUM SUCTION LIFT

25' vertical lift

MOTOR TYPE

12VDC gear motor

FINAL MOTOR RPM

45

DUTY CYCLE

Continuous

MOTOR VOLTAGE (AMP DRAW)

120V 60Hz 1PH (1.7)
220V 60Hz 1PH (0.9)
230V 50Hz 1PH (0.9) International
250V 50Hz 1PH (0.9) International

POWER CORD PLUG END

120V 60Hz – NEMA 5/15, 230V 50Hz – CEE 7/VII
220V 60Hz – NEMA 6/15, 250V 50Hz – CEE 7/VII

WET END COMPONENTS

PERISTALTIC TUBE

Santoprene® *FDA approved
optional Tygothane®** FDA approved

TUBE FITTINGS, COMPRESSION NUTS

Type 1 rigid PVC-NSF listed

SUCTION STRAINER & WEIGHT

Type 1 rigid PVC body, ceramic weight – NSF listed

SUCTION/DISCHARGE TUBING & FERRULES

LDPE polyethylene, NSF and FDA approved

CHECK VALVE (injection fitting & body)

Type 1 rigid PVC-NSF listed

CHECK VALVE DUCKBILL

Santoprene®* FDA Approved
Pellathane®† (w/Tygothane® tube)

OTHER COMPONENTS

ALL PUMP HOUSINGS

GE Lexan®†† Polycarbonate

PUMP HEAD ROLLERS

LDPE

ROLLER BUSHINGS

Bronze Oilite

ALL FASTENERS

Stainless Steel

POWER CORD TYPE

SJTOW

*Santoprene® is a registered trademark of Advanced Elastomer System.

**Tygothane® is a registered trademark of Saint-Gobain Performance Plastics.

†Pellathane® is a registered trademark of The Dow Company, Midland, MI.

††Lexan® is a registered trademark of General Electric. Consult General Electric for chemical resistance of Lexan®.

ACCESSORY KIT SHIPPED WITH EACH PUMP

- 3 connecting nuts (1/4" or 3/8")
- 3 ferrules w/1/4" & 6mm OR 2 ferrules w/3/8"
- 1 injection check valve (100 psi) OR (1) injection fitting (25 psi)
- 1 weighted suction line strainer
- 1 20' roll of suction/discharge tubing 1/4" or 3/8" in white or UV black 6 mm Europe tubing in white only
- 1 spare pump tube
- 1 mounting bracket
- 1 manual

SVP SERIES PUMP VARIABLE SPEED OUTPUT

Approximate Output @ 50 & 60 Hz

Single Head Model	Maximum Pressure	Pump Tube Number	gallons per day	liters per day	gallons per hour	liters per hour	ounces per minute	milliliters per minute
SVP1H1*	100 psi (6.9 bar)	#1	0.3 to 5.0	1.1 to 18.9	0.01 to 0.21	0.05 to 0.79	0.03 to 0.44	0.76 to 13.13
SVP1H2*	100 psi (6.9 bar)	#2	0.8 to 17.0	3.0 to 64.4	0.03 to 0.71	0.13 to 2.68	0.07 to 1.51	2.08 to 44.65
SVP1H7*	100 psi (6.9 bar)	#7	2.0 to 40.0	7.6 to 151.4	0.08 to 1.67	0.32 to 6.31	0.18 to 3.55	5.27 to 105.14
SVP1L1	25 psi (1.7 bar)	#1	0.3 to 5.0	1.1 to 18.9	0.01 to 0.21	0.05 to 0.79	0.03 to 0.44	0.76 to 13.13
SVP1L2	25 psi (1.7 bar)	#2	0.8 to 17.0	3.0 to 64.4	0.03 to 0.71	0.13 to 2.68	0.07 to 1.51	2.08 to 44.65
SVP1L3	25 psi (1.7 bar)	#3	2.0 to 40.0	7.6 to 151.4	0.08 to 1.67	0.32 to 6.31	0.18 to 3.55	5.27 to 105.14
SVP1L4	25 psi (1.7 bar)	#4	3.0 to 60.0	11.4 to 227.1	0.13 to 2.5	0.48 to 9.46	0.27 to 5.33	7.92 to 157.71
SVP1L5	25 psi (1.7 bar)	#5	4.3 to 85.0	16.3 to 321.8	0.18 to 3.54	0.68 to 13.40	0.38 to 7.55	11.32 to 223.40

SVP SERIES PUMP VARIABLE SPEED WITH 4-20MA OUTPUT

Approximate Output @ 50 & 60 Hz

Single Head Model	Maximum Pressure	Pump Tube Number	Max. Input Signal V/ Input Signal Resistance	gallons per day	liters per day	gallons per hour	liters per hour	ounces per minute	milliliters per minute
SVP4H1*	100 psi (6.9 bar)	#1	Max. 48 VDC, 128 ohm	0.3 to 5.0	1.1 to 18.9	0.01 to 0.21	0.05 to 0.79	0.03 to 0.44	0.76 to 13.13
SVP4H2*	100 psi (6.9 bar)	#2	Max. 48 VDC, 128 ohm	0.8 to 17.0	3.0 to 64.4	0.03 to 0.71	0.13 to 2.68	0.07 to 1.51	2.08 to 44.65
SVP4H7*	100 psi (6.9 bar)	#7	Max. 48 VDC, 128 ohm	2.0 to 40.0	7.6 to 151.4	0.08 to 1.67	0.32 to 6.31	0.18 to 3.55	5.27 to 105.14
SVP4L1	25 psi (1.7 bar)	#1	Max. 48 VDC, 128 ohm	0.3 to 5.0	1.1 to 18.9	0.01 to 0.21	0.05 to 0.79	0.03 to 0.44	0.76 to 13.13
SVP4L2	25 psi (1.7 bar)	#2	Max. 48 VDC, 128 ohm	0.8 to 17.0	3.0 to 64.4	0.03 to 0.71	0.13 to 2.68	0.07 to 1.51	2.08 to 44.65
SVP4L3	25 psi (1.7 bar)	#3	Max. 48 VDC, 128 ohm	2.0 to 40.0	7.6 to 151.4	0.08 to 1.67	0.32 to 6.31	0.18 to 3.55	5.27 to 105.14
SVP4L4	25 psi (1.7 bar)	#4	Max. 48 VDC, 128 ohm	3.0 to 60.0	11.4 to 227.1	0.13 to 2.5	0.48 to 9.46	0.27 to 5.33	7.92 to 157.7
SVP4L5	25 psi (1.7 bar)	#5	Max. 48 VDC, 128 ohm	4.3 to 85.0	16.3 to 321.8	0.18 to 3.54	0.68 to 13.40	0.38 to 7.55	11.32 to 223.40

*pump supplied with injection check valve for 26-100 psi applications

NOTICE: The information within this chart is solely intended for use as a guide. The output data is an approximation based on pumping water under a controlled testing environment. Many variables can affect the output of the pump. Stenner Pump Company recommends that all metering pumps undergo field calibration by means of analytical testing to confirm their outputs.