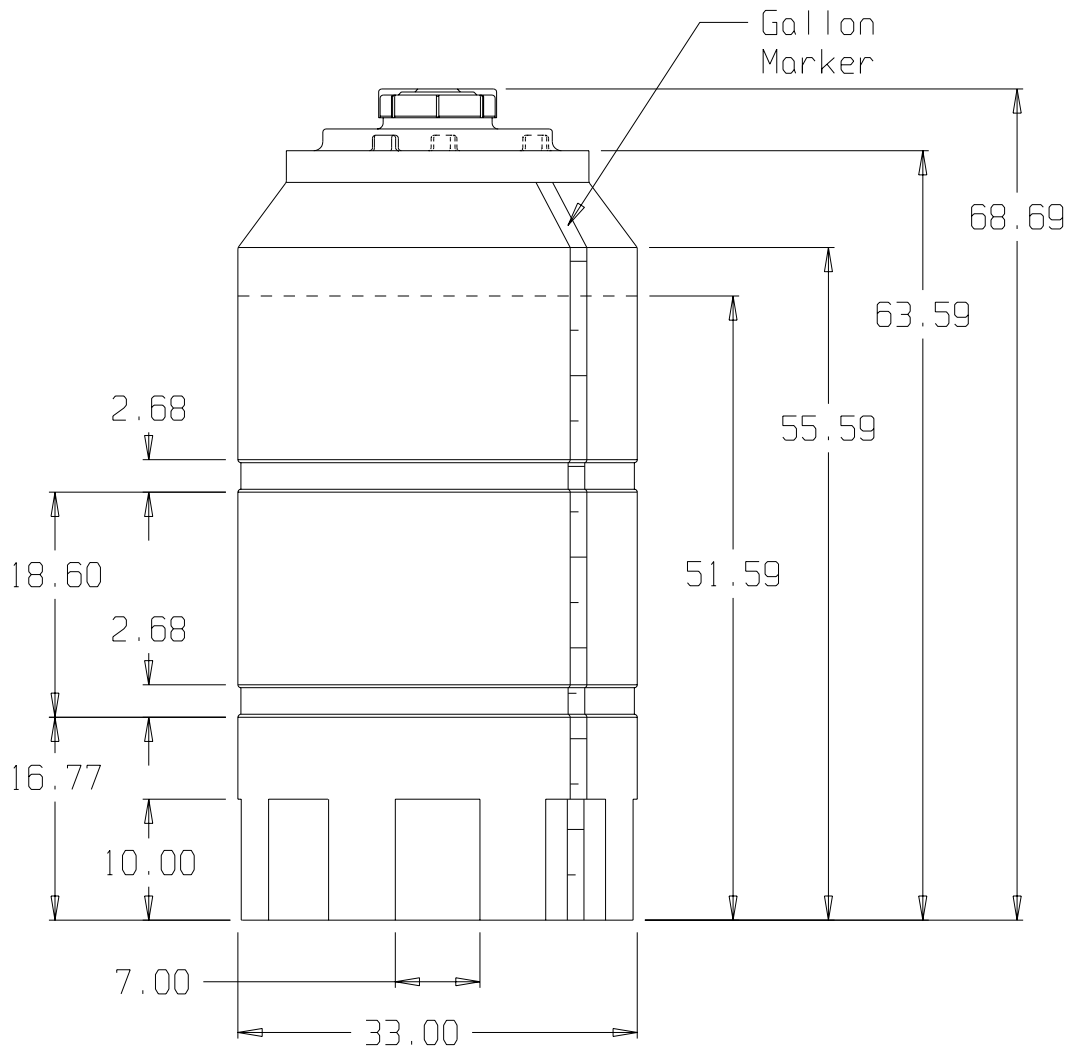
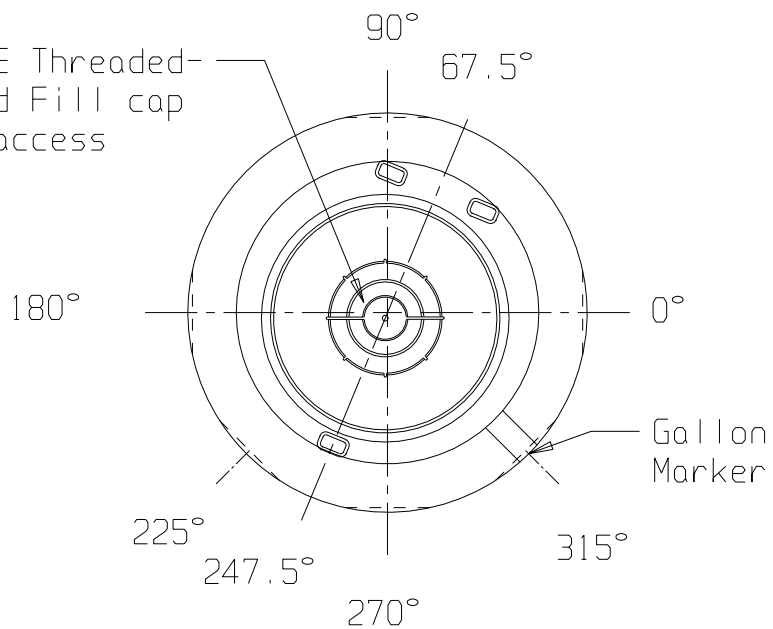


10" PE Threaded-Vented Fill cap w/7" access



(all dimensions in inches)

PART # TANKS: 8020--MT

REF#: 0000

03/03/03

BASE FITTINGS TO BE LEFT INSTALLED AT TIME OF SHIPMENT PER SII PROCEDURE

200 GALLON VERTICAL TANK